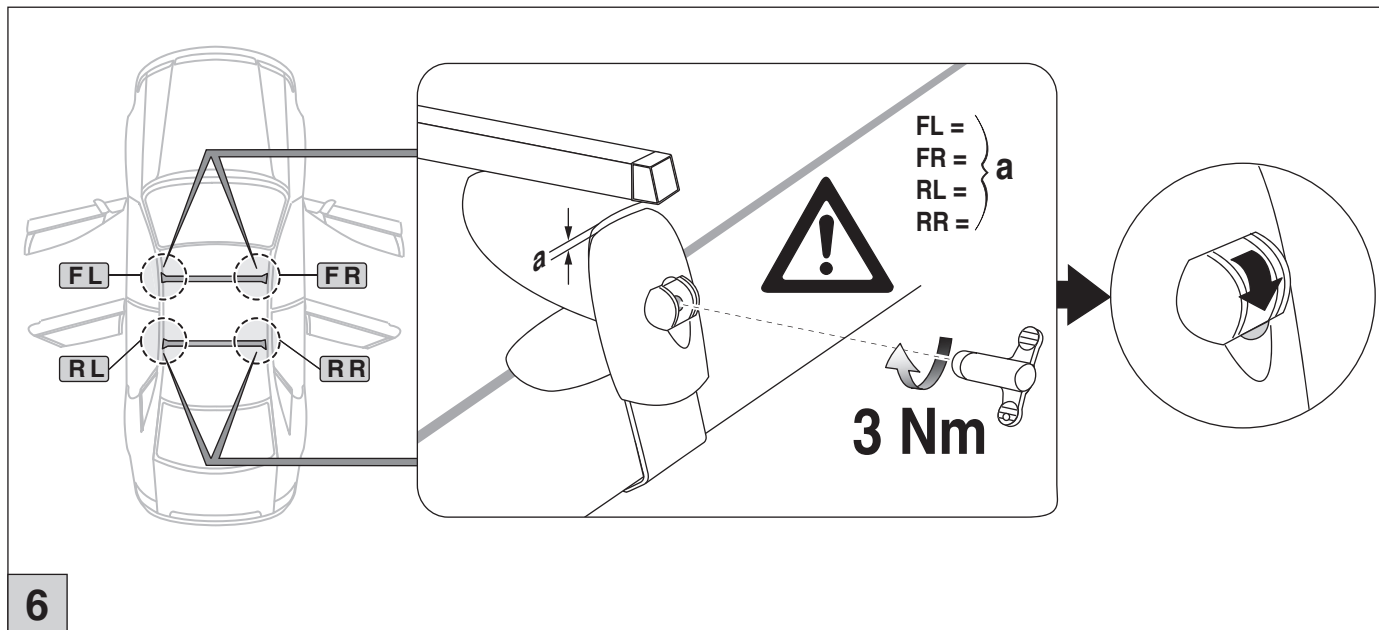
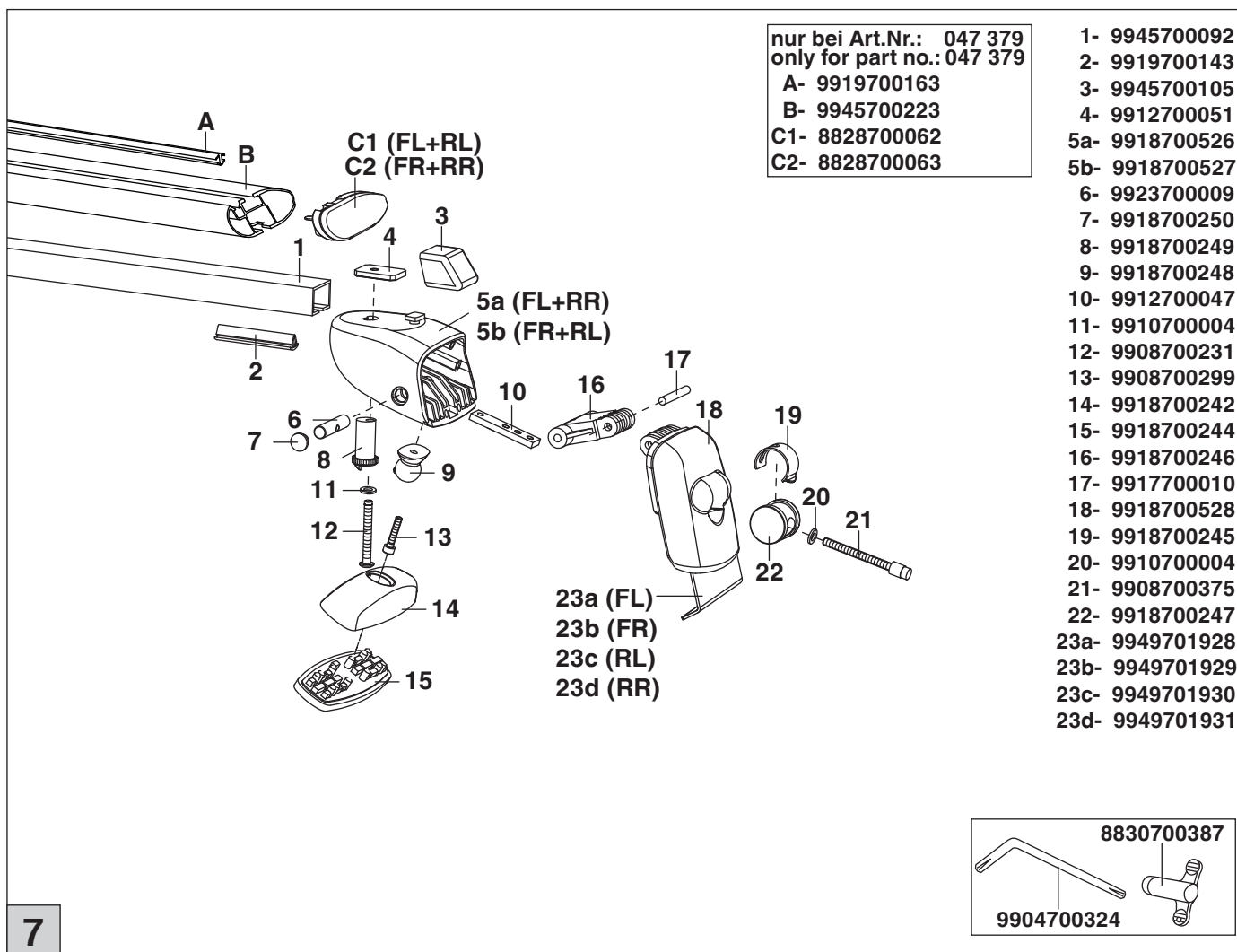


Atera SIGNO

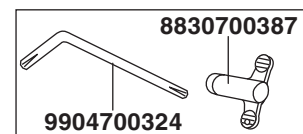
Renault
Captur 01/2020 –



6



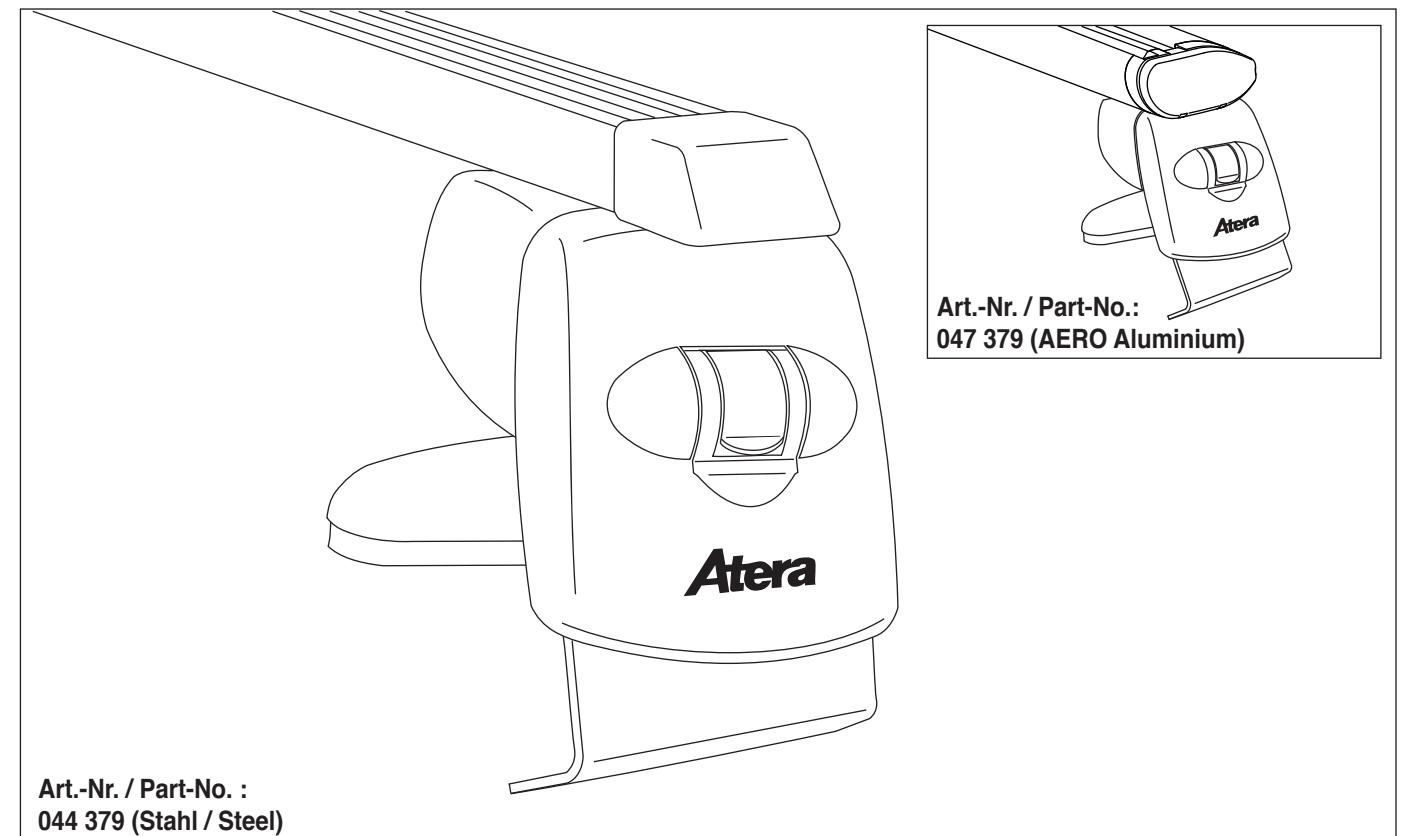
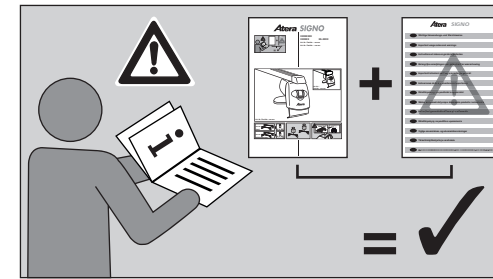
7



Atera SIGNO

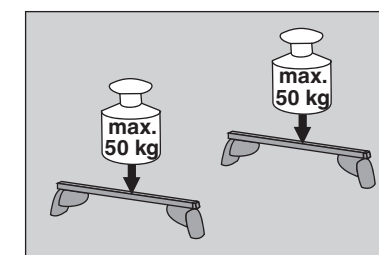
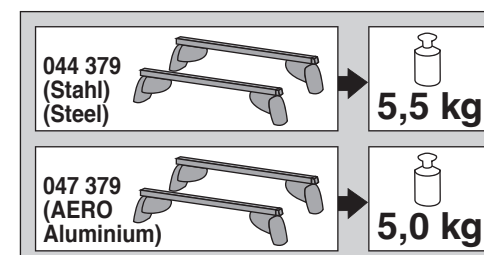
Renault
Captur 01/2020 –

Art.-Nr. / Part-No. : 044 379
Art.-Nr. / Part-No. : 047 379



Art.-Nr. / Part-No.:
047 379 (AERO Aluminium)

Art.-Nr. / Part-No. :
044 379 (Stahl / Steel)



Atera
GERMAN ENGINEERING

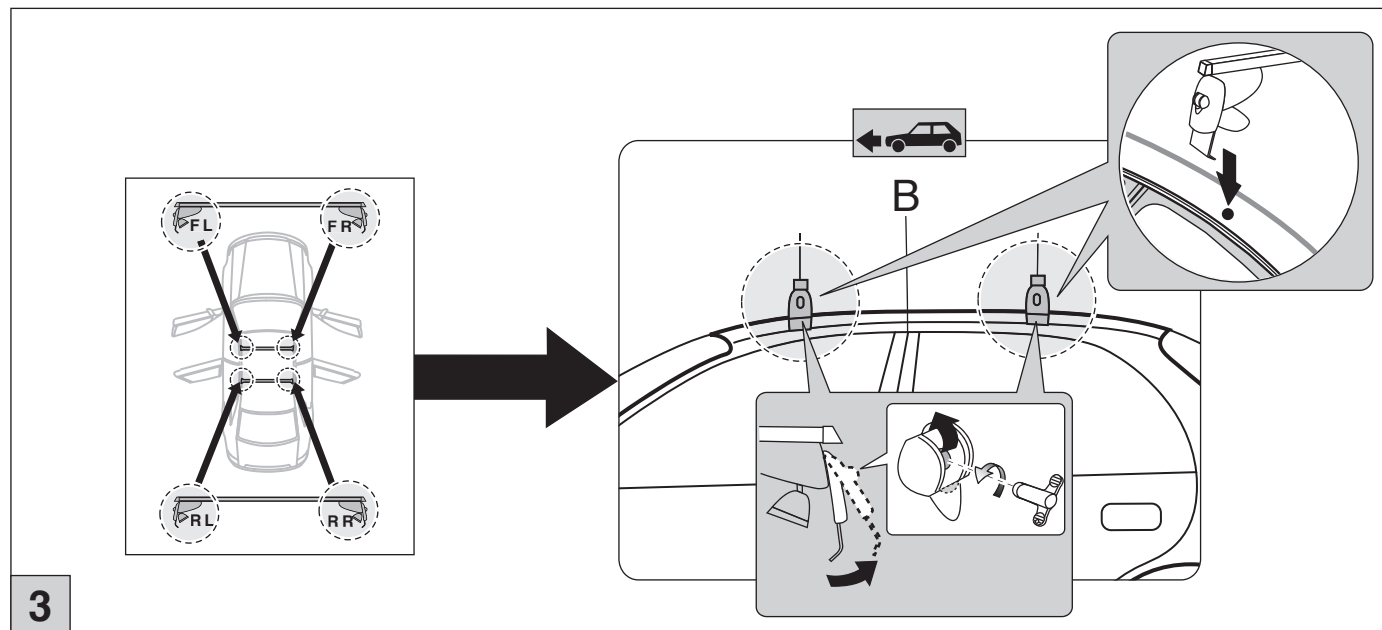
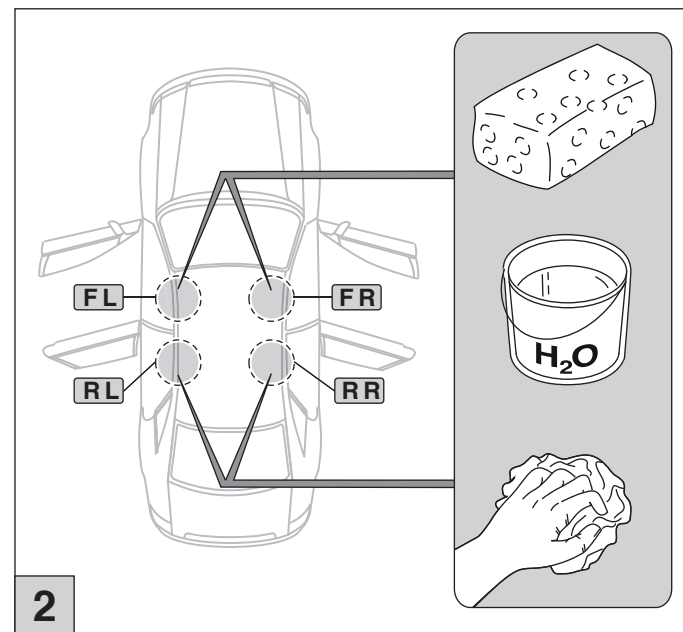
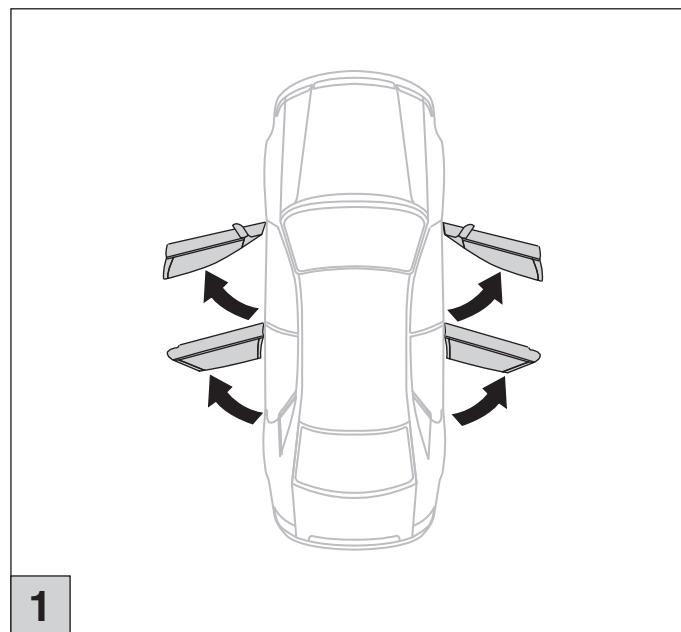
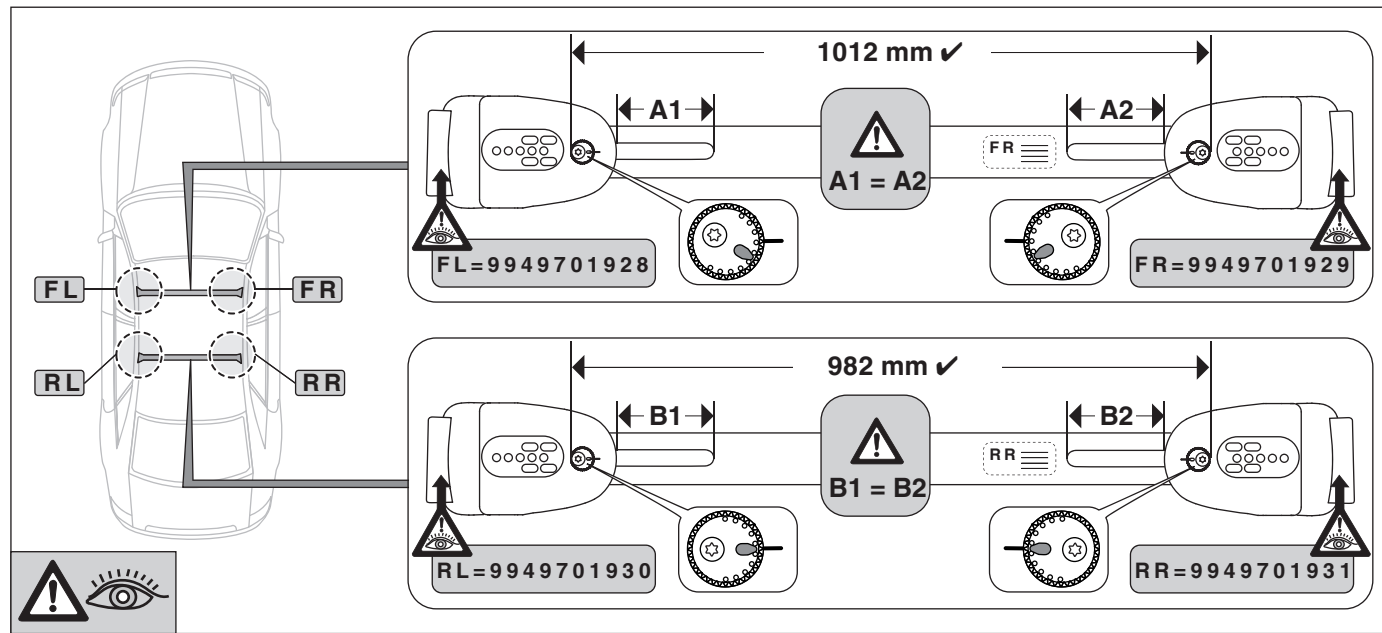
Atera GmbH
Im Herrach 1
D-88299 Leutkirch
Internet: www.atera.de



© ATERA GmbH
Ref.-Nr.: 044 379_096454437900_992570050200
Ref.-Nr.: 047 379_096454737900_992570050200
Stand/State: 04/02/2022 – R00 V01

Atera SIGNO

Renault
Captur 01/2020 –



Atera SIGNO

Renault
Captur 01/2020 –

