

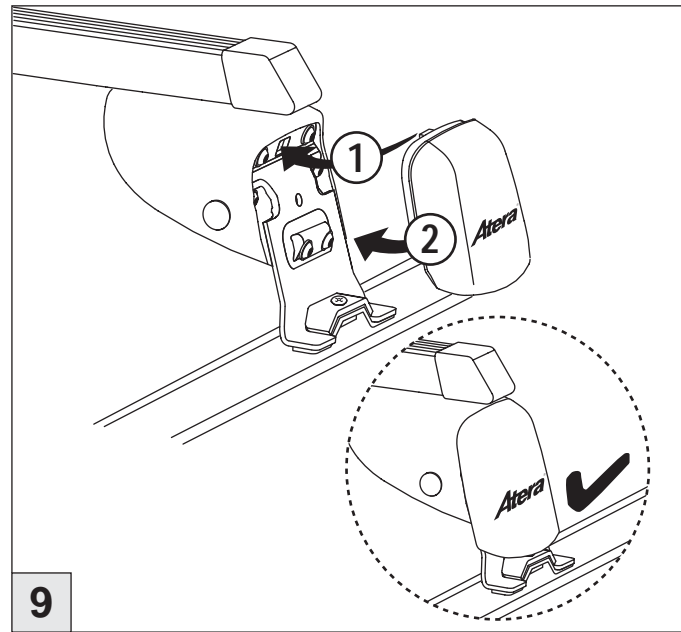
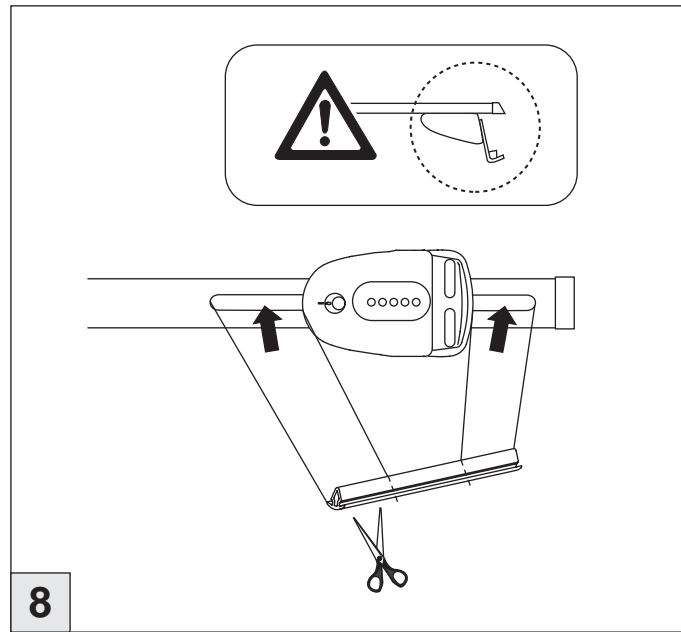
Atera[®] SIGNO

Fiat Scudo
Citroen Jumpy

7/2006–
7/2006–

Peugeot Expert

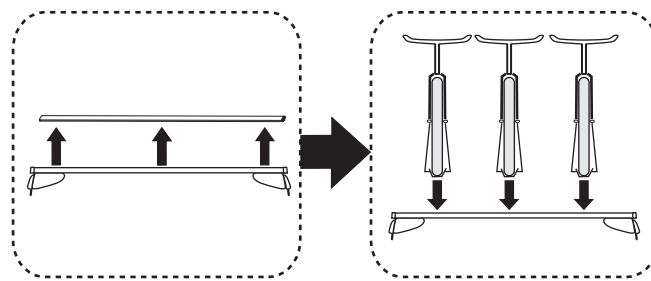
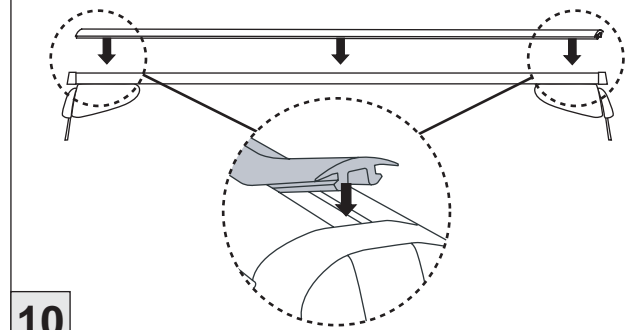
2/2007–



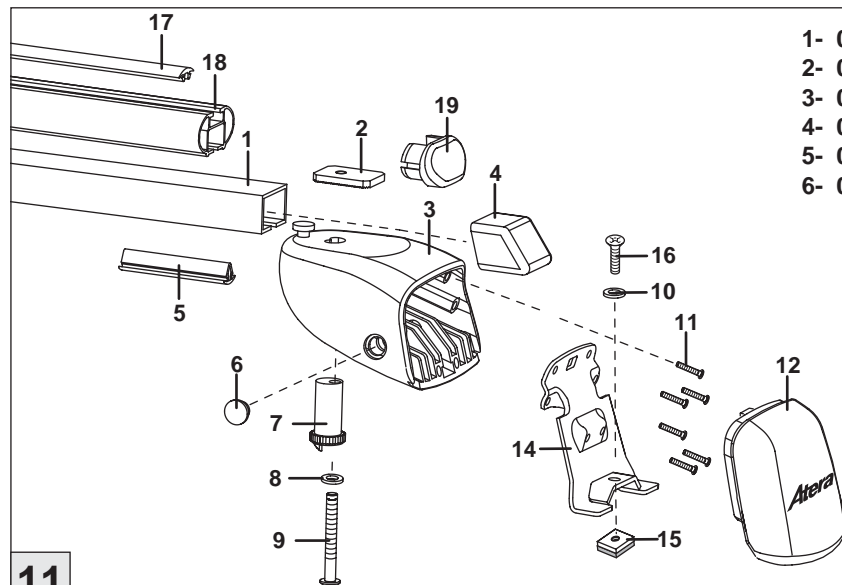
8

9

nur bei / only for Part-No.: 045 155 / 045 157



10



- | | | |
|------------|-------------|-----------------------------|
| 1- 074 137 | 7- 092 044 | 14- 095 302 |
| 2- 093 357 | 8- 087 866 | 15- 093 439 |
| 3- 092 034 | 9- 087 656 | 16- 087 622 |
| 4- 088 184 | 10- 087 866 | |
| 5- 092 043 | 11- 087 909 | nur bei/only for |
| 6- 092 045 | 12- 092 037 | Part-No.: 045 155 / 044 157 |
| | | 17- 092 043 |
| | | 18- 093 137 |
| | | 19- 092 071 |

11

Atera[®] SIGNO

Fiat Scudo
Citroen Jumpy
Peugeot Expert

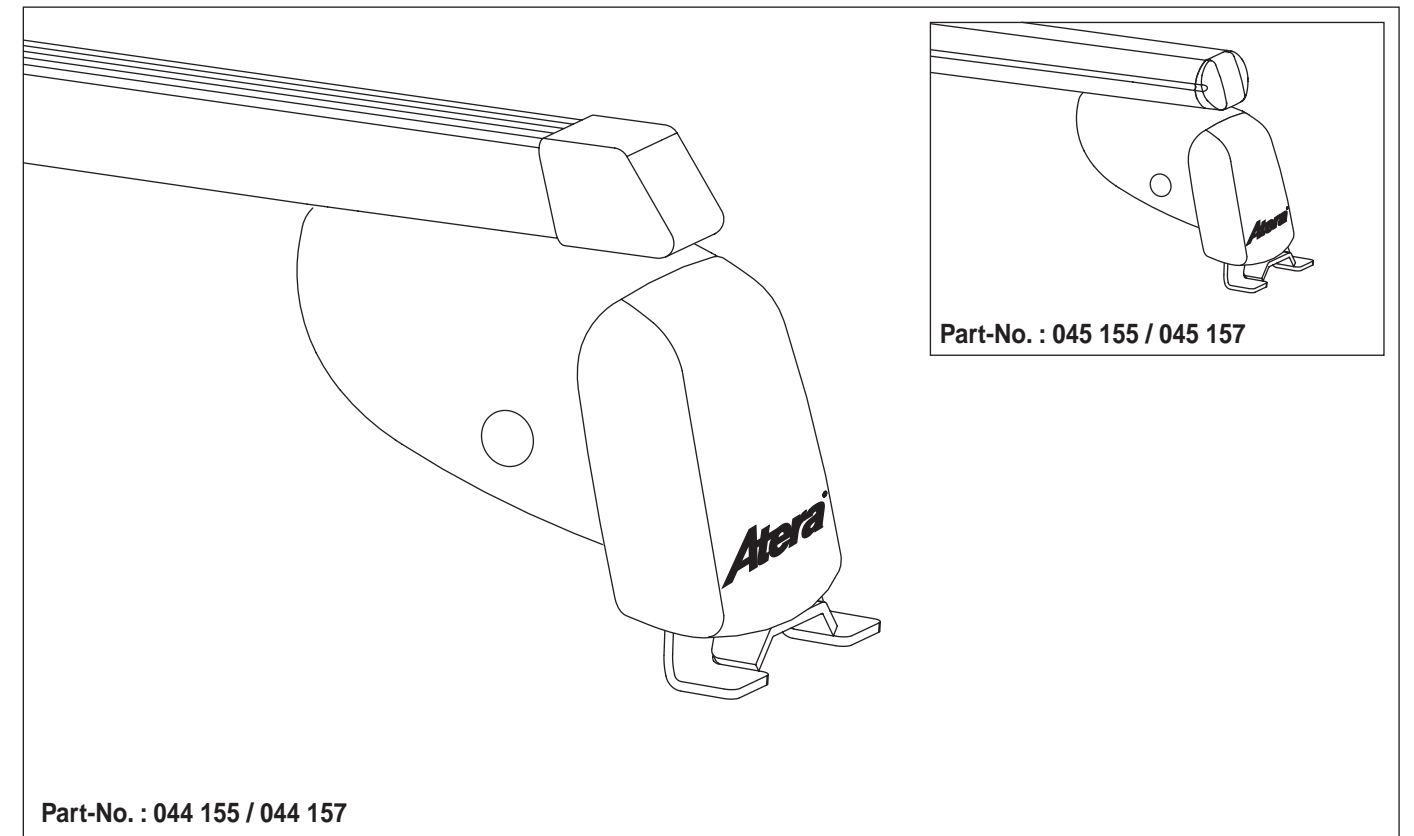
07/2006–
07/2006–
02/2007–

Part-No. : 044 155 (Grundträger/basic carrier)

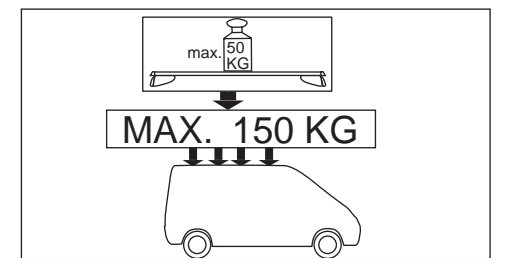
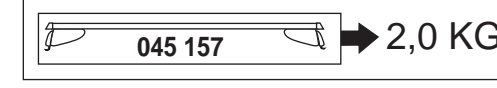
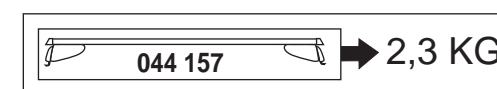
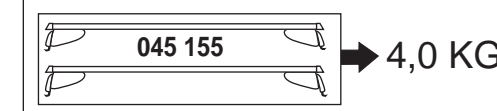
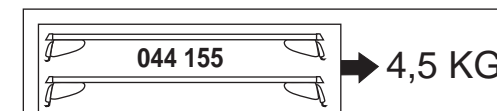
Part-No. : 045 155 (Grundträger/basic carrier)

Part-No. : 044 157 (Zusatzbügel/extra carrier bow)

Part-No. : 045 157 (Zusatzbügel/extra carrier bow)



Part-No. : 044 155 / 044 157



Atera[®]
MADE IN GERMANY

Atera GmbH
Postfach 2240
D-88192 Ravensburg
Telefon 07 51 - 76 04-0
Telefax 07 51 - 76 04-76
E-Mail: info@atera.de

Atera® SIGNO

Fiat Scudo
Citroen Jumpy

7/2006–
7/2006–

Peugeot Expert

2/2007–

Atera® SIGNO

Fiat Scudo
Citroen Jumpy

7/2006–
7/2006–

Peugeot Expert

2/2007–

